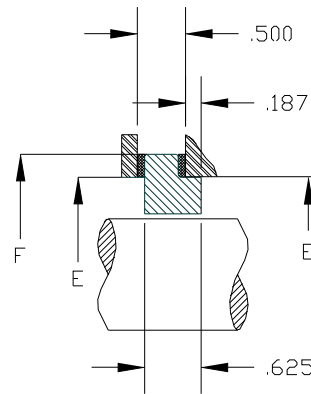


Style 02  
"T" Clamp Seat



Style 08  
"L" Clamp Seat

SEAT SIZE		TYPE 02 SEAT				TYPE 08 SEAT	
SIZE CODE	SIZE	MIN. BOX BORE	COUNTER-BORE DIAM.	SEAT WIDTH	BORE DEPTH	MIN. BOX BORE	COUNTER-BORE DIAM.
		A	B	C	D	E	F
010	.625	1.312	1.750	.750	.188	1.250	1.652
012	.750	1.437	1.875	.750	.375	1.400	1.813
014	.875	1.562	1.875	.750	.375	1.500	1.937
016	1.000	1.625	2.062	.813	.437	1.625	2.125
018	1.125	1.750	2.187	.813	.437	1.750	2.250
020	1.250	2.000	2.437	.813	.437	1.875	2.375
022	1.375	2.000	2.437	.875	.500	2.000	2.437
024	1.500	2.250	2.813	.875	.500	2.250	2.750
026	1.625	2.480	2.662	.875	.500	2.375	2.875
028	1.750	2.500	3.062	.875	.500	2.500	3.125
030	1.875	2.625	3.188	1.000	.625	2.625	3.250
032	2.000	2.875	3.437	1.000	.625	2.750	3.500
034	2.125	2.910	3.437	1.000	.625	2.875	3.750
036	2.250	3.250	3.813	1.000	.625	3.000	3.875
038	2.375	3.375	3.937	1.000	.625	3.125	3.937
040	2.500	3.500	4.062	1.000	.625	3.250	4.125
042	2.625	3.625	4.188	1.000	.625	3.375	4.250
044	2.750	3.750	4.312	1.000	.625	3.500	4.375
046	2.875	3.875	4.437	1.000	.625	3.625	4.562
048	3.000	4.000	4.562	1.000	.625	3.750	4.625